



IJRASET

International Journal For Research in
Applied Science and Engineering Technology



INTERNATIONAL JOURNAL FOR RESEARCH

IN APPLIED SCIENCE & ENGINEERING TECHNOLOGY

Volume: 10 **Issue:** X **Month of publication:** October 2022

DOI: <https://doi.org/10.22214/ijraset.2022.47216>

www.ijraset.com

Call:  08813907089

E-mail ID: ijraset@gmail.com

Women Safety with Auto Voice Detector

Rutuja More¹, Sayali Patil², Shruti Talekar³, Prof. Shobha Nikam⁴

^{1, 2, 3}Student, ⁴Assistant Professor, Electronics and Telecommunication AISSMS institute of Information Technology, Pune, India
411005

Abstract: Since it is now vital to have female staff in factories and other commercial market segments, there has been an upsurge in violent crimes and physical assaults against women.

For women to work in fields that need them to travel at odd hours and go to isolated, In this project, when a woman senses danger, she must hold ON the device's trigger.

As soon as the gadget is turned on, it uses the GPS to determine the user's current location and sends an emergency message via the GSM (Global System for Mobile communication) to both the police stations and the registered mobile number. Our project focuses on a safety system that is expressly designed to fulfil that goal in order to avoid women from feeling helpless in the face of such social concerns.

Keywords: AT-Mega 2560, limit switch, GPS, GSM, Bluetooth.

I. INTRODUCTION

The status of women in India has undergone various major advancements during the past 200 years. In modern India, women still struggle with societal issues and are usually the victims of abuse. India is the worst country among the G20 nations for women, according to a global assessment by Thomson Reuters, ranking as the "fourth most hazardous country" in the world for women. Modes:0 The government has implemented numerous preventative measures to stop these wrongdoing acts, but they have had no impact on the rising incidence of these crimes. The issue of sexual harassment at work is becoming more prevalent every day. Students encounter incidents like child trafficking and kidnapping while waiting to board or disembark a school bus. The fear of harassment against women is not only a condition outside but it may also occur inside homes. Women are less physically fit than men so in case of a need a helping hand Would be a boon for them. The government has implemented numerous preventative measures to stop these wrongdoing acts, but they have had no impact on the rising incidence of these crimes. The issue of sexual harassment at work is becoming more prevalent every day. It is possible for women to experience harassment within as well as outside of the home. Women are less physically fit than men, thus if they require assistance, men should step up when students are exposed to situations like child trafficking and kidnapping, it would be beneficial for them, We will create voice recorder ladies safety using this method. The system consists of a controller, GSM for calling and sending messages, and GPS for finding the women. The device's panic or push button can be quickly and covertly activated by the user. One hit of the panic button will cause it to. Convey the user's geographic position and a message to the predetermined list of emergency contacts.

II. OBJECTIVE

- 1) When assistance is required, the victim's location is determined using the GSM and GPS. both the closest police station and the pre-registered mobile number are informed of the victim's whereabouts.
- 2) The victim's surroundings are made aware by the buzzer.

III. LITERATURE SURVEY

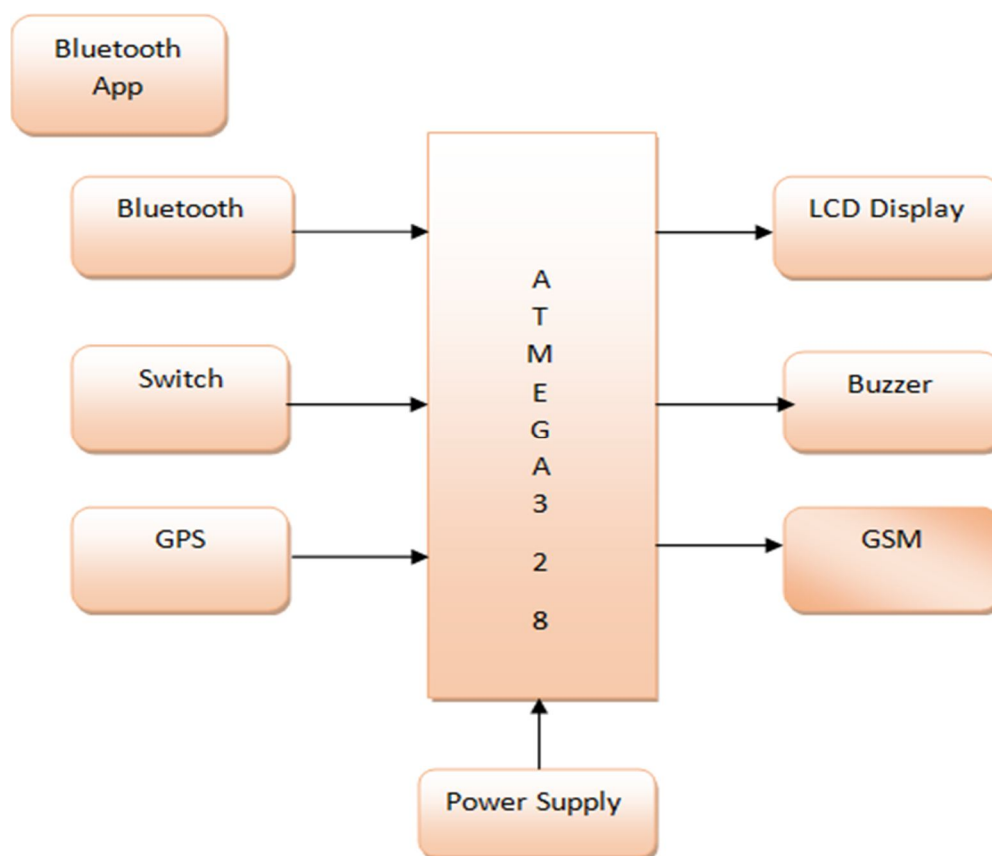
A Review of Women's Safety Measures Akshara K S², Aneesha K B, and Nighila Ashok

The biggest issue facing women today is safety. The number of harassments of women is rising daily. In spite of having equal rights to males, women still face discrimination. Have several issues. Even within the four walls of their own home, women are not protected. Both effective They do not encounter the same types of assaults. The assaults the women experienced include assaults with acid, kidnapping, rape, etc. At times, they could find it challenging to keep kids safe from this assault on oneself. Government regulations do not adequately safeguard women. A study indicates that In India, there are over 25000 cases against women. Numerous cases are still being heard in court because there is insufficient evidence. Utilizing a camera and speech recorder can help you solve this issue Today, safety is the main concern for women.

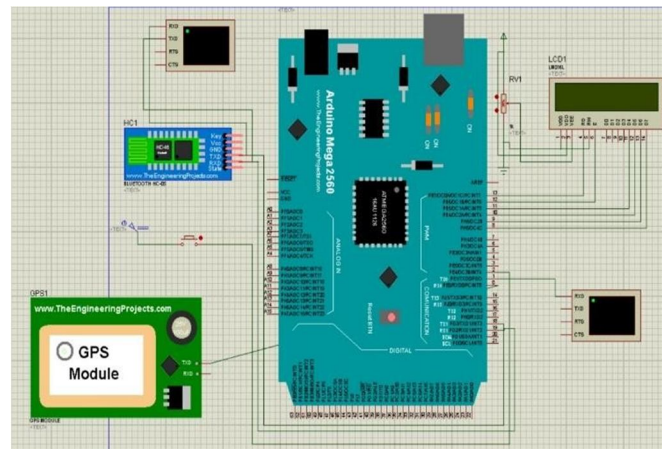
Every day, there are more incidents of women being harassed. Women still experience prejudice even though they have the same rights as men. Have several problems. Women are not protected, not even within the four walls of their own house. both powerful They don't experience the same assaults. The atrocities the women endured included rape, kidnapping, acid attacks, and more. They may occasionally find it difficult to protect children from this assault on oneself. Government laws do not sufficiently protect women. According to a survey, there are over 25000 incidences of women being victimised in India. Due to a lack of proof, numerouscases are currently being tried in court. Using a camera and a voice recorder can be helpful. You can fix this by using a camera and a speech recorder. In the past, the safety apparatus required manual operation. Not this method Given that the sufferer may find it difficult to operate the machinery manually while coping with a dangerous situation These gadgets are automatically activated as technology develops. IOT and machine learning are examples of contemporary technology used.

Different tools are employed. A number of communication technologies, including as Wi-Fi, ZigBee,Bluetooth, RFID, and GSM, among others. Self-defence weapons include pepper spray and electric shocks Modes: 0 The GPS module is typically employed in gadgets to track the victim's position. In addition to these, several gadgets use buzzers to warn the environment. To identify abnormal conditions, various systems employ various types of sensors, including temperature sensors, flex sensors, and accelerometers. Some devices have self-defence features like pepper spray and electric shock. Some devices have cameras that take pictures, movies, and audio recordings that can be used as evidence in court cases. GSM module is used to deliver the alarm message, while GPS module is utilised to track the location. Devices often use the GPS module to track the victim's whereabouts. Inaddition to this, a number of devices alert the environment using buzzers. Sensors of different kinds, such as temperature sensors and flex sensors, are used in many systems sensor and an accelerometer to detect abnormal circumstances Some devices offer self-defence features like electric shocks and pepper spray. Cameras, video recorders, and voice recorders are among the items of technology that can be used as evidence in court proceedings. The alert message is sent using a GSM module, and thelocation is tracked using a GPS module.

IV. BLOCK DIAGRAM



V. CIRCUIT DIAGRAM



VI. METHODOLOGY

In this system AT-Mega 2560 Microcontroller in this system collects and sends data from numerous sensors. Switch limit GPS, GSM sensor, among other sensors, are some of the many used in this system's electronic framework for women. There, GSM and GPS are crucial. Part in delivering the user's location and sending alert messages to the contact's registered phone number. Additionally attached to the input pin is a 16x2 LCD monitor. The GPS module and the GSM quad band module are Associated with a microcontroller. This aids in GSM and GPS communication.

VII. CONCLLUSION

The AT-Mega 2560 Microcontroller in this system collects and sends data from numerous sensors switch limit GPS and GSM sensors are among the many sensors employed in this system, which is an electronic framework for women. There, the GSM and GPS are crucial transmitting the user's location and an alert message to the contact's registered phone number. Additionally attached to the input pin is display 16x2. The GPS and GSM quad band modules are attached to the microcontroller. This aids in GSM and GPS communication.

REFERENCES

- [1] Harikiran, g. C., karthik menasinkai, and suhasshiro. "smart security solution for women based on internet of things (iot)." 2016 international conference on electrical, electronics, and optimization techniques (iceeot). Ieee, 2016.
- [2] Akash moodbiri, hamid shahnasser, "child safety wearable device", 2017 international conference on information networking (icoi).
- [3] Bharavi u, sukesh rao m, " design and development of gsm and gps tracking module", 2017 2nd IEEE international conference on recent trends in electronics information & communication technology (rteict), may 19-20, 2017, india.
- [4] Sampson, r., eck, j.e. And dunham, j., 2010. Super controllers and crime prevention: a routine activity explanation of crime prevention success and failure. Security journal, 23(1), pp.37-51.[19]
- [5] wekerle, g., 2000. From eyes on the street to safe cities [speaking of places]. Places, 13(1). [20] ceccato, v., 2017.
- [6] women's victimization and safety in transit environments. Crime prevention and community safety, 19(3), pp.163-167.



10.22214/IJRASET



45.98



IMPACT FACTOR:
7.129



IMPACT FACTOR:
7.429



INTERNATIONAL JOURNAL FOR RESEARCH

IN APPLIED SCIENCE & ENGINEERING TECHNOLOGY

Call : 08813907089  (24*7 Support on Whatsapp)