



IJRASET

International Journal For Research in
Applied Science and Engineering Technology



INTERNATIONAL JOURNAL FOR RESEARCH

IN APPLIED SCIENCE & ENGINEERING TECHNOLOGY

Volume: 2 Issue: Issue- II Month of publication: October 2014

DOI:

www.ijraset.com

Call:  08813907089

E-mail ID: ijraset@gmail.com

International Journal for Research in Applied Science & Engineering Technology(IJRASET)

5 PEN PC Technology

A. Krishnaveni

Priyadarshini College of Engineering and Technology, Nellore

I. INTRODUCTION

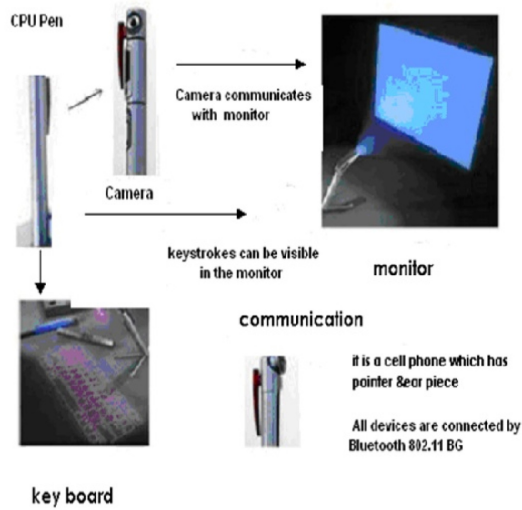
- P-ISM (“Pen-style Personal Networking Gadget Package”), which is nothing but the new discovery, which is under developing, stage by NEC Corporation.
- P-ISM is a gadget package including five functions: a pen-style cellular phone with a handwriting data input function, virtual keyboard, a very small projector, camera scanner, and personal ID key with cashless pass function.
- P-ISMs are connected with one another through short-range wireless technology.
- The whole set is also connected to the Internet through the cellular phone function.
- This personal gadget in a minimalist pen style enables the ultimate ubiquitous computing



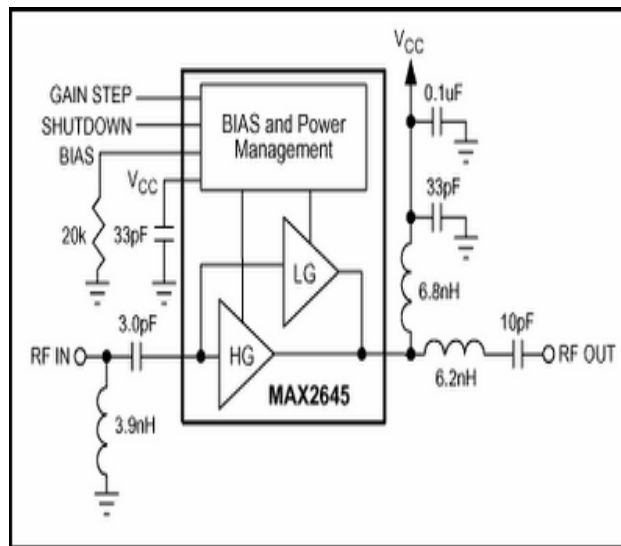
Concept Component	Function	Reliability
CPU Pen	Computing Engine	Open
Communications Pen	Cell Phone, Pressure Sensitive Pointing Device, Pointer and ear piece. Communications using Bluetooth	Near Term
Display	LED Projector A4 Size Approx. 1024 X 768	Slightly Farther Out Than the Phone and Camera
Keyboard	Projected keyboard with 3D IR Sensor	Slightly Farther Out Than the Phone and Camera
Camera	Digital Camera	Near Term
Based	Battery Charger and Mass Storage	Open

Block diagram

International Journal for Research in Applied Science & Engineering Technology(IJRASET)



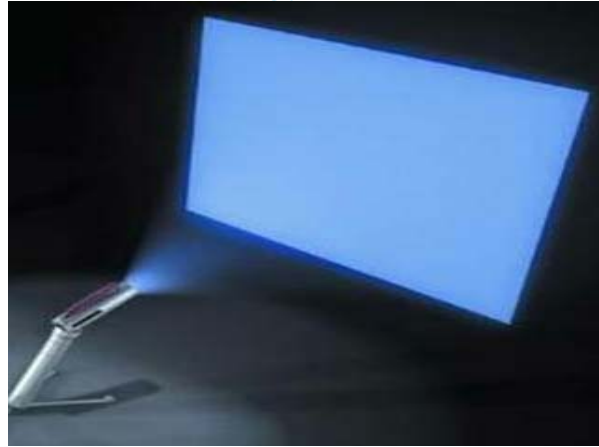
Connectivity



- Bluetooth is widely used because we can able to transfer data or make connections without wires.
- This is very effective because we can able to connect whenever we need without having wires.
- They are used at the frequency band of 2.4 GHz ISM.
- Blue tooth mechanism is used for exchanging signal status information between two devices.
- This techniques have been developed that do not require communication between the two devices, the most efficient and comprehensive solution for the most serious problems can be accomplished by silicon vendors.
- They can implement information exchange capabilities within the designs of the Blue tooth

II. LED PROJECTOR

International Journal for Research in Applied Science & Engineering Technology(IJRASET)



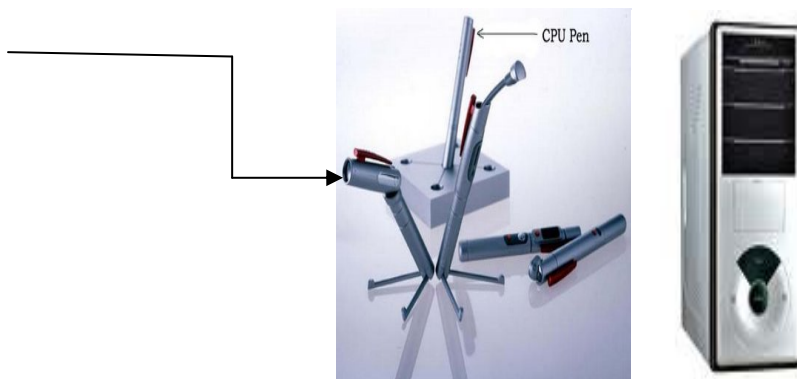
III. VIRTUAL KEYBOARD

- The Virtual Laser Keyboard (VKB) is the ULTIMATE new gadget for PC users.
- The VKB emits laser on to the desk where it looks like the keyboard having QWERTY arrangement of keys i.e.,
- The I-Tech laser keyboard acts exactly like any other "ordinary" keyboard



IV. CPU PEN

The functionality of the CPU is done by one of the pen. It is also known as computing engine.



V. COMMUNICATION PEN

International Journal for Research in Applied Science & Engineering Technology(IJRASET)

P-ISMs are connected with one another through short-range wireless technology. They are connected through Tri-wireless modes (Blue tooth, 802.11B/G, and Cellular) which are made small and kept in a small pen like device.



VI. DIGITAL CAMERA

- It is useful in video recording, video conferencing, simply it is called as web cam. It is also connected with other devices through Blue tooth.
- The major advantage it is small which is easily portable. It is a 360-Degree Visual Communication Device.
- This terminal enables showing of the surrounding atmosphere and group-to-group communication with a round display and a central super-wide-angle camera



VII. BATTERY

- The most important part in the portable type of computer is its battery.
- Usually batteries must be small in size and work for longer time.
- It comes with a battery life of 6+. For normal use it can be used for 2 weeks.
- This 'pen sort of instrument' produces both the monitor as well as the keyboard on any flat surfaces from where you can carry out functions you would normally do on your desktop computer

International Journal for Research in Applied Science & Engineering Technology(IJRASET)



VIII. GOOD AND BAD

- Good is the unit can be positioned or held the way it is defined it works well.
- The bad aspect is that all like units are just that – alike
- And can easily misplaced.

IX. COMPROMISES

- A surface is needed to make it functional

X. CONCLUSION

- The communication devices are becoming smaller and compact.
- This is only an example for the start of this new technology. we expect moresuchdevelopmentsinfuture.

REFERENCES

- [1] www.123seminaronly.com
- [2] www.slideshare.net



10.22214/IJRASET



45.98



IMPACT FACTOR:
7.129



IMPACT FACTOR:
7.429



INTERNATIONAL JOURNAL FOR RESEARCH

IN APPLIED SCIENCE & ENGINEERING TECHNOLOGY

Call : 08813907089  (24*7 Support on Whatsapp)