



# **iJRASET**

International Journal For Research in  
Applied Science and Engineering Technology



---

# **INTERNATIONAL JOURNAL FOR RESEARCH**

IN APPLIED SCIENCE & ENGINEERING TECHNOLOGY

---

**Volume: 7      Issue: XI      Month of publication: November 2019**

**DOI: <http://doi.org/10.22214/ijraset.2019.11094>**

**[www.ijraset.com](http://www.ijraset.com)**

**Call:  08813907089**

**E-mail ID: [ijraset@gmail.com](mailto:ijraset@gmail.com)**

# Fingerprint Based Security System

Mr. Ashish Prabhakar Dake

Department of Computer Science, Rajarshi Shahu Mahavidyalaya (Autonomous), Latur, Maharashtra, India

**Abstract:** *Our fundamental intention to design a locker with no security flaws so we presented BIOMETRIC situated locker which is used fingerprint as a verification system. Presently time competition is increasing daily so it's our responsibility to provide safety to our belongings like gold, main documents, rupees, etc. In this project we use two one of a kind microcontrollers which might be interfaced with different peripheral gadgets respectively.*

**Keywords:** *Fingerprint Module, Microcontroller, DC Motor, Computer System, etc.*

## I. INTRODUCTION

Theft is without doubt one of the major problems in today's world, areas like faculties, faculties, offices, and so on should be comfortable. To reduce these incidents, exclusive methods to comfortable belongings and records have been finished. Most humans use lockers for securing major documents, records and different personal belongings for privacy and safety rationale. Some lockers are used easy padlocks which have a couple of keys and can be utilized through quantity of customers. These varieties of padlocks do not assurance full safety and security to the personal assets and files as they can be spoil through making use of come drive.

So the BIOMETRICS got here as probably the most robust approach for security of the personal property and records. It is considered as most effective procedure after we speak about security. BIOMETRIC is a manner where we understand some human attributes like eyes, face, hand geometry, and many others but in our project we are using fingerprint for the verification. As fingerprint recognition is inconspicuous and convenient to use and the duplication of fingerprint is like not possible. BIOMETRIC data are varies from character to man or woman so there's no fear of identical patterns. The institution of the paper is as follows to start with it come literature evaluation, wherein we mentioned about some published paper.

After this we discussed in regards to the problems identification, in this we mentioned in regards to the problems involving more than a few locking methods. Then we come at design and implementation of the mission, after this influence is discussed then conclusion and in the final we mentioned about future scope.

## II. LITERATURE REVIEW

Subhash H. Jadhavetal focused on the design and implemented an enormously secured and trustworthy shrewd bank locker protection approach established on RFID, Biometric fingerprint, password and GSM technological know-how. This can be equipped in financial institution, workplaces, faculties and homes. On this process most effective the legitimate man or woman can open the lock and collect the primary records, jewelry or cash from the lockers. On this security process RFID, biometric fingerprint, password and GSM technological know-how programs are used. In our proposed system first the user will enroll his consumer name, password and his mobile quantity, then the character will put finger on fingerprint module and fingerprint can be scanned and stored with fingerprint id. In this manner user enrolment procedure might be completed. Then person will participate in login operation. For the period of login operation person first swipe RFID tag on the RFID reader whether it is adequate then finger print of respectable man or woman can be scanned. If the finger is proper of that particular individual then it will enable and display finger is matched and if the finger will not be matched of that targeted character then it is going to offers the sign to the siren and will play a while and then message goes to the consumer that the unauthorized entry is there please check. And if the finger print is matched then it is going to offers the signal to do next step to enter the Password, then the authorized person will enter the password. If the password is mistaken then it'll play siren and the approach will ship the message to the consumer i.e. The unauthorized person is trying to open the lock so please examine it etc., if all the stipulations are matched then the microcontroller approaches the info and correspondingly drives the motor to function the load i.e. Lock will likely be opened. The essential benefits of making use of RFID, biometric fingerprint, password and GSM technological know-how is particularly secure and trustworthy locker procedure than another locker techniques. This approach may create a log containing check in and checkout of each and every consumer together with normal know-how.

Atar Nasrinetal desirous about the design and implements a locker high security approach situated on fingerprint, password and GSM technological know-how which can be organized in banks, covered places of work and homes. In this method financial

institution will accumulate the biometric knowledge of each individual for assigning the lockers only respectable man or woman can also be recovered cash, documents from the locker. We have now applied a locker security approach centered on fingerprint, secret word and GSM technological know-how containing door locking approach which is able to prompt, authorize, and validate the person and unlock the door in actual time for locker at ease entry. Fingerprints are one in every of many forms of biometrics, used to identify individuals and confirm their identity. The technology can be utilized to determine, monitor, kind or become aware of a wide sort of objects. They use only one Fingerprint module scan for number of simplest approved humans to open the separate financial institution locker with GSM science. The more peoples stored the information within the RAM of LPC2148. The scanner is interfaced to LPC2148 ARM microcontroller; this controller shall be controlling the scanning method. After the scanning has been completed, person has to enter the secret code to open his locker with the support of a keypad. Immediately the locker will probably be opened. After the work has been completed if secret's press once more with support of keypad the locker door will be closed again. If an unlawful man or woman tries to scan his fingerprint snapshot then a sign will accept with the aid of a buzzer which is interfaced to the controller and also if incorrect code phrase is entered by means of the user once more indication will be given via the buzzer. The present user alternatively of him/her can make a brand new person as the user of the similar locker by using new registration method and the historical person's fingerprint image can be deleted. Alternative for altering the key code can also be on hand.

Jordi Sapesetal This task includes the progress of a inexpensive and competitive security atmosphere of fingerprint attention established on a GT (511C1R) device, and embedded into a Raspberry Pi 3B+ with Raspbian Linux. This work presents a preliminary gain knowledge of about the viability of integrating a fingerprint gadget and a Raspberry with Linux into the equal framework and, whilst, supplying a person interface by the use of a web server.

This primary prototype, referred to as Finger Scanner, is a security method that provides the users a method to be validated with the aid of utilizing a fingerprint scanner. Finger Scanner can then be used to construct much more complicated techniques on prime of it. Nevertheless, we are inquisitive about focusing our concentration on designing an effective prototype with a aggressive efficiency. This manuscript can be the groundwork for different feasible tasks that encourage Raspberry and an identical board's developers to create intriguing projects about accessibility, security, etc., mixed with cheap fingerprint scanners. A sample mission might be a nontoxic deposit box with a Finger Scanner. Nowadays some organizations in the sector of cash dealing with that use finger-print sensors complain concerning the fingerprint instruments (to advance an application) and sensor fee. So, our venture can emerge as the foundation of the low-cost programs based on fingerprint sensors.

Omidiora E. O. Etal refused the traditional approaches of locking system for the bikes, they introduced finger print headquartered locker which is the robust security mechanism in various protection area. Of their prototype application module is used for the database storage of legitimate customers and hardware is offered for the interfacing. Programming was done with the aid of visible basics, visual C and visible C++. The programming of this prototype used to be completed in visual basic 6.0 manufacturer adaptation. The prototype used to be proven with 20 scan pictures stored in the database. The implementation used to be effective and the microcontroller was once evidently differentiated between authorized and unauthorized users. Good judgment 1 transferred for licensed user and good judgment 0 for unauthorized consumer.

Crystalynne D. Cortezetal considering the development of microcontroller-centered biometric locker method with brief message carrier. A 9-12Vdc was once used to give vigor to the system. The microcontroller ATMEGA 644 housed in Arduino board used to be utilized to interface the input and output hardware gadgets. Input contraptions include the fingerprint sensor for biometric recognition, keypad used to be for the encoding of move code and real time clock for display of current date and time. The microcontroller is programmed with the support of Arduino integrated progress environment. ATmega644 housed in Arduino board, was the microcontroller unit used within the system. It managed the features of the biometric locker method. The ATmega644 is forty pins; low-vigor complementary metallic oxide semiconductor (CMOS), 8-bit microcontroller based on the AVR improved reduced guideline set laptop (RISC) architecture.

ATmega644 can acquire throughputs coming near 1 million directions per 2d per MHz through the execution of robust directions in a single clock cycle.

This allowed the optimization of vigor consumption versus processing speed in approach designs. It might probably store up to sixty four Kbytes of application recommendations. The Arduino board of the ATmega644 was compatible to other enter and output hardware contraptions used in the biometric Locker method.

Sagar S. Palsodkaretal proposed venture was once for financial institution lockers security approach making use of biometric and GSM. In our proposed process first the user will enroll his user identify password and his cell number. Then the digital camera of pc



will robotically on and capture the face retailer with face identification then the person will put finger on finger print module finger print will be scan and store with finger identification . On this manner consumer will enrolment approach might be completed.

Then person will participate in login operation during login operation user face of man or woman will become aware of and finger print can be scan. If the id gets fits liquid crystal display will show cellular number of the person which entered for the duration of enrolment .

Then code will ship to character mobile by way of GSM. And person will punch the code via keypad if the code get match then led will likely be blink or lockers shall be open. And liquid crystal display will exhibit message entry granted.

In our challenge we are utilizing R305 finger print module. This module take finer of individual and store as finger print identity .It's having far worth is  $<0.001\%$  .And FRR worth is  $<0.1\%$ .

This sensor is having good photograph processing capabilities, can efficaciously seize image as much as decision 500 dpi. ARM is a 16/32-bit ARM7TDMI-S microcontroller in a tiny LQFP64package. It has eight kB to forty kB of on-chip static RAM and 32 kB to 512 kB of on-chip. It presents high performance small measurement low energy. It's having two UART pin UART0 AND UART1 from UART0 interface through computer making use of serial cable.

### III. PROBLEM IDENTIFICATION

There are various programs introduced for offering entire safety for all domiciles. However there is not any entire safety discovered up to date.

#### A. Lock and Key Process

First step toward protection was Lock and Key system. Within the beginning this procedure was proved excellent but afterward this process was once failed as a couple of keys will also be made comfortably for a single lock. Thief may also make reproduction keys for the equal lock. As a consequence this procedure failed for offering entire security.

#### B. Password Authentication

Password as an authentication procedure is the subsequent stage of security process. The password is pre-stored within the database. This password authentication procedure provides reliable protection to the customers. This method even have the trouble that password is effectively guessed.

#### C. Authentication with the aid of RFID Card

1/3 level of security was authentication via RFID card. This approach was embellished with phases of security. Access is granted only for the person whose RFID card matches with the database. However the duplication of RFID cards is feasible so this approach was failed later on.

### IV. DESIGN AND IMPLEMENTATION OF PROPOSED MODEL

This challenge includes two microcontroller LPC2148 microcontrollers are interfaced with every different by means of one of a kind ports. LPC2148 is connected to various peripheral instruments like liquid crystal display, Keypad, and Fingerprint Module. LPC2148 is hooked up to Buzzer, DC Motor and pc method.

Here we use two microcontrollers to minimize the fee of the locker in view that these microcontrollers are very commercial so that any person can afford the locker.

The foremost a part of this venture is the fingerprint module without which user can't open his/her locker. The fingerprint we used is an optical scanner; the heart of this scanner is a charged coupled gadget (CCD). The CCD has an array of light touchy diodes, referred to as picture sites. These photograph websites generate an electrical in response of light alerts. These alerts are saved in the type of dark and lights pixels for ridges and valleys respectively within the fingerprint module, these darkish and lightweight pixels are used to differentiate between specific fingerprints.

These scanned pixels collectively types and picture which is inverted. An analogue-to-digital converter is reward within the scanner which converts the analogue electrical indicators to the digital type (within the form of zero and 1 which is a binary illustration). Earlier than comparing the scanned image of fingerprint to the pre-stored photo, the scanner exams usual darkness stage of the pixels, it rejects if the scanned photograph is too darkish or too gentle.

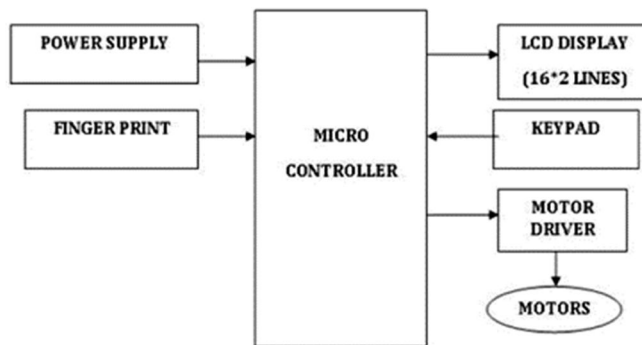


Figure 1: Block Diagram

Our challenge is a two-step verification approach, which entails password and fingerprint authentication method. It also involves the photograph capture of the unauthorized person. Stepwise working of this task is given under:

- 1) *Step 1:* Enter your password with the keypad.
- 2) *Step 2:* Now, scan your fingerprint on the fingerprint scanner. In case your fingerprint is not matched then snapshot seize by way of the digicam module and retailer in the pc system.
- 3) *Step 3:* If the password and fingerprint are of approved individual then the door attached to the dc motor will open.
- 4) *Step 4:* Now, that you can entry to your locker.

## V. RESULT AND DISCUSSION



Figure 2: Hardware of Project

The complete hardware of the task is shown in the determine 2. The exclusive accessories of the task are clearly shown. That is project is inexpensive in fee and very reliable in case of better security. These BIOMETRIC headquartered lockers have many merits over the conventional locking systems which make it more fundamental. That is very convenient to use.

## VI. CONCLUSION

In this project, we reviewed some papers which have labored on this challenge. In our paper we presented biometric established locker which furnish excessive degree of protection. Any unauthorized consumer will unable to access the locker. We're utilizing fingerprint because the verification procedure as duplication of fingerprint is like unable. This process is affordable and handy to make use of. This method can be established at any place, where you need excessive measure of protection. The low cost of the challenge is an awfully foremost element in this assignment. This locker could be very riskless and risk-free.



## VII. FUTURE SCOPE

- A. We will use this biometric procedure in bikes for anti-theft systems, this biometric procedure will use in bike locking and to ignite the engine of the bike.
- B. To provide development in automobiles biometric process may also be implement which is an effective proposal to ignite the engine and run the auto in order that simplest proprietor off the auto would pressure the car.
- C. Retina scanner can also be enforcing on the place of fingerprint.

## REFERENCES

- [1] Pavithra B. C., "Fingerprint Based Bank Locker System Using Microcontroller", Proceedings of IRF International Conference, 05th April-2014, Pondicherry, India, ISBN: 978-93-82702-71-9.
- [2] Subhash H. Jadhav, "Smart Bank Locker Security System Using Biometric Fingerprint and GSM Technology", International Journal of Science and Research (IJSR) ISSN (Online): 2319-7064 Index Copernicus Value (2013): 6.14 | Impact Factor (2015): 6.391, Paper ID: ART20162571.
- [3] Atar Nasrin, "Fingerprint Based Security System for Banks", International Research Journal of Engineering and Technology (IRJET) e-ISSN: 2395 -0056 Volume: 03 Issue: 04 | Apr-2016.
- [4] Jordi Sapes, "Finger Scanner: Embedding Fingerprint Scanner in a Raspberry Pi".
- [5] Crystalynne D. Cortez, "Development of Microcontroller-Based Biometric Locker System with Short Message Service", Lecture Notes on Software Engineering, Vol. 4, No. 2, May 2016, DOI: 10.7763/LNSE.2016.V4.233.





10.22214/IJRASET



45.98



IMPACT FACTOR:  
7.129



IMPACT FACTOR:  
7.429



# INTERNATIONAL JOURNAL FOR RESEARCH

IN APPLIED SCIENCE & ENGINEERING TECHNOLOGY

Call : 08813907089  (24\*7 Support on Whatsapp)